

SARAYA

No-Touch Dispenser

UD-1600

For indoor use

Instruction manual

Thank you for purchasing the SARAYA UD-1600 No-Touch Dispenser. You are urged to thoroughly read this instruction manual before operating the UD-1600.

Keep this instruction manual handy for future reference.

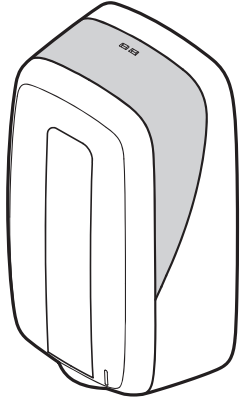


Table of contents	Page
Safety precautions	2
Name of components	5
Installation	6
Changing the settings	7
Installation	8
Installing / replacing the batteries	10
Explanation of the LED	11
Installing replacing the bottle	12
How to use	13
Attaching the tray	14
Maintenance	15
Before calling for repair	16
Specifications	16

Waste Electrical and Electronic Equipment (WEEE) Directive - Information for Users

This symbol mark is for EU countries only. This symbol means that this product, at their end-of-life, should be disposed of separately from your household waste. In the European Union, there are separate collection systems for used Electrical and Electronic Equipment. Please dispose of this product correctly at your local community waste collection/recycling center.

Batteries Directive - Information for Users

This symbol mark is for EU countries only. This symbol means that batteries and accumulators, at their end-of-life, should be disposed of separately from your household waste. In the European Union, there are separate collection systems for used batteries and accumulators. Please dispose of batteries and accumulators correctly at your local community waste collection/recycling center.

Uses alkaline batteries (C cell x 4)

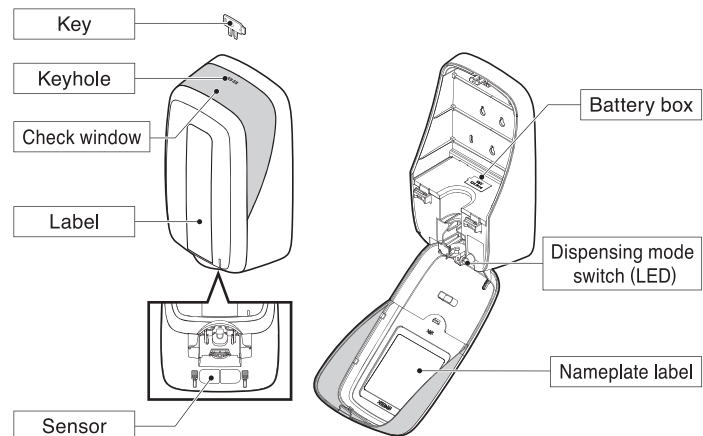
Components

- Main unit1
- Key1
- Tapping screws3
- Plug3
- Double sided tape3
- Label for soap1
- Label for sanitizer1
- Instruction manual1

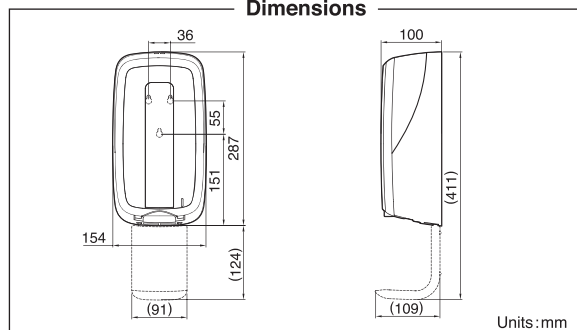
5 Name of components

Necessary tools for setting

- Electric drill
 - Drill bit (φ6, φ2.5)
 - Phillips screwdriver
 - Hammer (resin head)
 - Tape measure, ruler
 - Alcohol sheets
- * Alcohol sheets are not included. Please purchase separately.



Dimensions



2 Safety precautions

Thoroughly read these safety precautions before using the unit. The precautions stated in this manual describe important safety information and you are advised to abide by it. After reading, keep this manual readily available for future reference.

The dangers of using the unit incorrectly are described in the following precautions and warnings.

Warning	A hazard that may possibly result in death or serious injury if ignored.								
Caution	A hazard that may result in complications or conditions possibly resulting in personal or material damage.								
Symbols	<table border="0"> <tr> <td>Never attempt this</td> <td>Example</td> <td>Be sure to follow instructions</td> <td>Example</td> </tr> <tr> <td></td> <td></td> <td></td> <td></td> </tr> </table>	Never attempt this	Example	Be sure to follow instructions	Example				
Never attempt this	Example	Be sure to follow instructions	Example						

Caution for setting	
Caution	
Do not install in dusty environments. May cause fire, electric shock, or malfunction.	Do not install on any surface other than those specified in this manual. May cause accident, injury or malfunction.
Do not install in an area near sources of oil or flammable gases. May result in fire.	Do not install in environments with high condensation. May cause fire, electric shock, failure, or unit deterioration.
Do not install on a painted wall with double sided tape. Only install on sturdy walls. The unit could fall resulting in injury or damage.	Do not install near open flames or near anything that generates sparks. Just in case, keep a fire extinguisher nearby.
Do not install in an area near sources of oil or flammable gases. May result in fire.	Do not install indoors where the unit is directly exposed to sunlight or high temperature. May result in malfunction or fire.
Install in an area that can be ventilated. Ventilate when using alcohol spray. Insufficient ventilation can fill the room with alcohol vapor. May create a fire hazard or cause nausea to the user.	

3 Safety precautions

Installation precautions	
Caution	
Do not install near electrical lighting such as fluorescent lights or under strong lighting. May cause malfunction.	Do not use outside of specifications indicated in this manual. Failure to do so may cause accidents, injury, or malfunction.
Usage precautions	
Warning	
No one other than an authorized technician should attempt to disassemble, repair or modify the unit. The unit may breakdown. If you have any questions about the unit, please consult your sales representative.	Do not dispose of alcohol spray collected in the tray near open flames. May cause fire.
Do not use flammable sprays near the unit. May cause fire at electrical contacts.	If an operation issue occurs, immediately stop using and remove the batteries. May cause fire or electric shock. Contact your dealer for service.
Do not pour or splash water on the unit. Contact with water will corrode the electrical wiring, possibly resulting in fire, shock or malfunction.	For proper handling of chemicals, consult its safety information.
Usage notes	
Caution	
Do not drop or subject to strong impact. Abusive handling can result in unit damage or fire.	Do not place any items on top of the unit. The unit may fall and break.
Do not drop or subject to strong impact. Abusive handling can result in unit damage or fire.	Do not open and close the cover forcefully. May cause malfunction.

4 Safety precautions

Follow local rules and regulations when disposing of the unit and batteries.	Watch your fingers when opening and closing the unit as it may cause injury.
Perform periodic inspection and cleaning. To maintain product safety and performance, regularly clean and inspect the unit.	Turn off the unit when cleaning or inspecting. Failure to do so may cause electric shock or injury.
Conduct the following if the unit will not be used for a long period of time. <ul style="list-style-type: none"> ① Remove the chemical bottle. ② Remove the batteries. ③ Clean the unit. 	Do not use chemicals other than those specified by SARAYA. May cause an accident or malfunction.
When handling chemicals, take care not to spill. Any spills should be wiped up immediately. Spills may cause floor surfaces to change color or deteriorate. Also, spills can make the floor unsafe, resulting in slipping injuries.	When transferring the unit, remove the chemical bottle. Failure to do so may cause chemical leakage.

Download the instruction manual in other languages through the QR code.



URL: <http://worldwide.saraya.com/products/public-health-hygiene/dispensers/item/ud-1600>

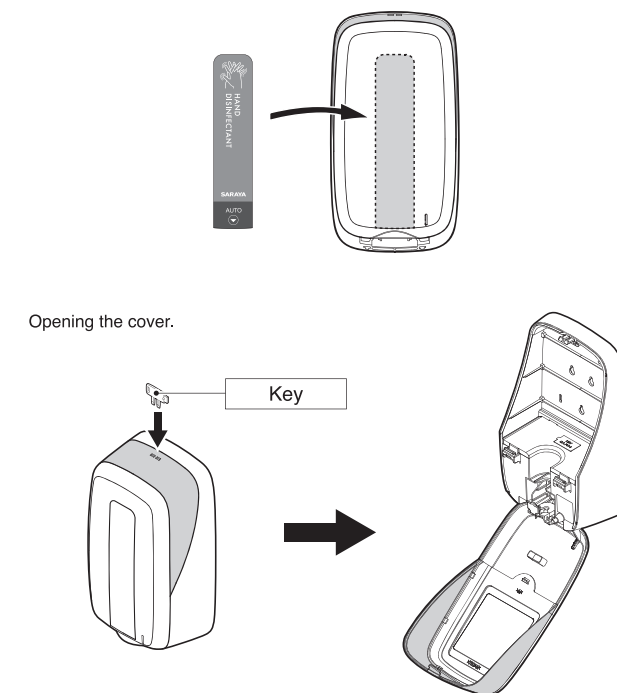
SARAYA CO., LTD 2-2-8 Yuzato, Higashiumiyoshi-ku Osaka
Global Operations Division 546-0013 Japan

Tel: +81-6-6703-6336 Fax: +81-6-6703-4466
URL: <http://worldwide.saraya.com>

20180508-01/MS

6 Installation

Select the appropriate label provided with the unit, and apply the label according to the instructions on the label.



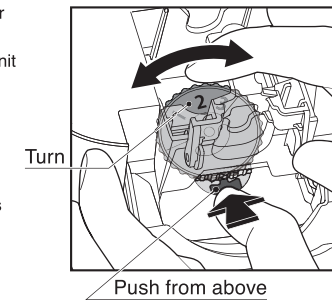
Caution

- Make sure not to lose the key.
- Do not put any unnecessary pressure on the key or you may damage the unit.
- Hold the cover while opening.
- Be careful of your fingers while closing the unit.

7 Changing the settings

The unit is originally set for foam soap or disinfectant/sanitizer bottles. Use the following procedure to set the unit for soap usage or disinfectant usage. Changing the dial

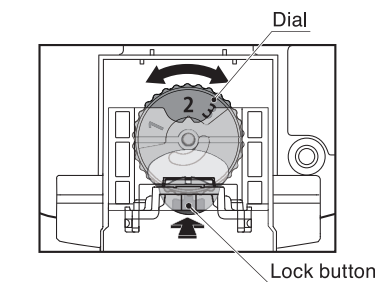
- ① Open the cover. (refer to P6)
- ② Place the unit on a flat and stable surface.
- ③ While holding down the lock button as shown, turn the dial.



Chemical	Position
Soap (liquid)	1
Soap (foam)	2
Alcohol spray	3

Caution

Do not turn the dial forcefully as it may damage the unit.



- ④ Release your finger from the lock button and make sure the dial does not move.

Caution

- When adjusting the dispense volume, make sure to first remove the batteries and check that the power is off. If the lock button is not centered underneath, operate the slide in the following method.
 - ① Install the batteries. (refer to P10)
 - ② Close the unit cover without installing the chemical bottle.
 - ③ Hold your hand under the sensor to activate the unit. → The lock button will center itself underneath.
- * Voltage may be weakened when the lock button is not fully centered. Replace with new batteries and operate again.
- ④ Open the cover and remove the batteries.

8 Installation

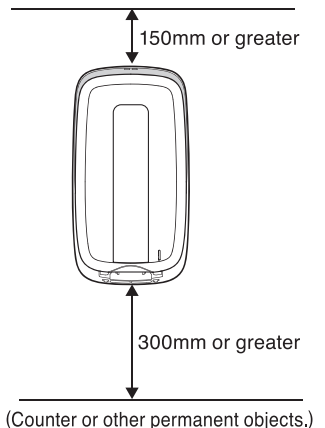
Installation method

1. Check the location Please install on a sturdy wall. Please make sure there is a enough space to use the unit.

Caution

- Do not attach the unit with double sided tape on the following wall types. Painted surfaces, wall paper, uneven surface, rough surfaces.
- Do not attach the unit with screws on following wall types.
- Uneven surface
- Keep at least 150mm of space above the dispenser for key access.
- Allow at least 300mm of space below the dispenser for the tray and other objects.

When installing, make sure the sensor is not obstructed by environmental light or objects.



9 Installation

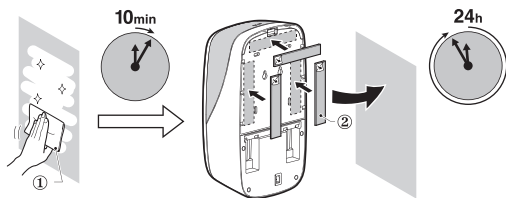
Installation method

2. Installation

Installing with double sided tape

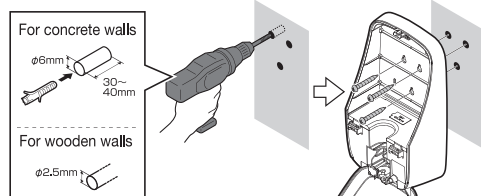
- Cleanly remove any dust, dirt or grease from the surface of the wall.
- Let the surface dry for at least 10 minutes.
- Peel the one side of protective paper from the double sided tape.
- Apply the double sided tape to the back of the unit.
- Peel the other side of protective paper from the double sided tape.
- Press the fixing plate onto the wall or 10 seconds or more to attach.

* Install the batteries and bottle 24 hours after installing the unit to the wall.



Installation with screws

- Open the cover (refer to P6)
- Drill holes in the wall through the fixing holes on the unit for an exact fit.
- Attach with screws.
- Close the cover.



Caution

- Be careful not to damage any wiring or plumbing behind the wall during installation.
- Clean away any dust after installation.
- When installing on a concrete wall
 - Drill guide holes 3-4cm deep with a 6mm drill bit.
 - Insert the 3 plugs into the holes and secure the unit with 3 tapping screws.

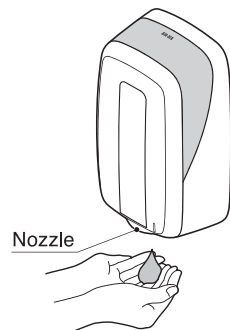
- Installing on wooden walls
 - Drill 3 guide holes with a 2.5mm bit.
 - Attach the unit with 3 tapping screws.
- Installing onto a weak wall (panelling, plywood, dry wall, etc.)
 - Reinforce the wall with a brace.
 - Install with tapping screws.

13 How to use

Place your palms under the nozzle to activate the sensor and cause the unit dispense.

Caution

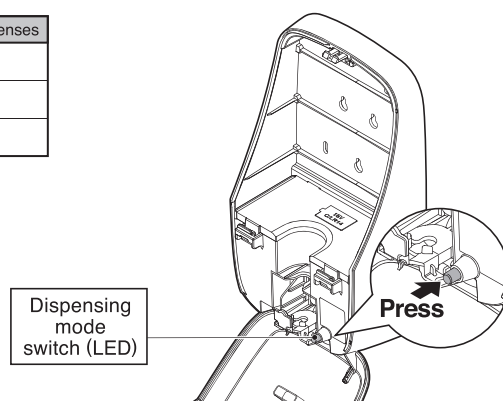
- New bottles of chemical may not immediately dispense. Please activate the unit repeatedly until the new chemical dispenses.
- The unit is programmed not to dispense 3 seconds after closing the cover.
- Thoroughly read the chemical's label before using.



Adjusting the number of dispenses

Open the cover and press the mode switch. The unit will alternate between one and two dispenses each time the mode switch is pushed. The indication LED will show the current mode.

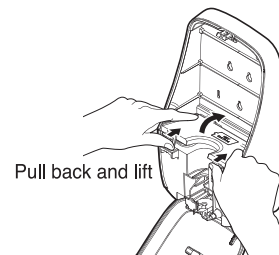
LED	Number of dispenses
Green	One dispense
Red	Two dispenses
Off	Off



10 Installing / replacing the batteries

Do not install batteries other than C cell x 4. For best performance, please use new batteries.

- Open the cover (refer to P6)
- Place both hands on the lid of the battery box and slide the lid forward.
- Observing the correct + and - orientation, install new alkaline batteries (C cell x 4) into the battery box.

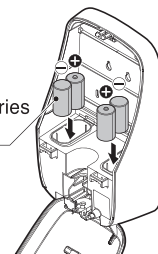


Caution Precautions for handling batteries

Mishandling batteries may lead to battery acid leakage, heat generation, or battery damage. Also, it can cause bodily injury or damage to the unit. Observe the following.

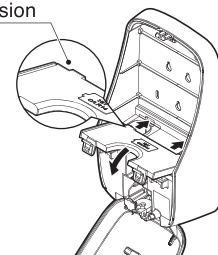
- Remove the batteries if the dispenser will not be used for a long period of time.
- Do not use new and old batteries at the same time.
- Thoroughly read the instructions included with the batteries.

Alkaline batteries (C cell x 4)



- Close and slide the lid of the battery box back while pushing down to close.
- Close the cover.

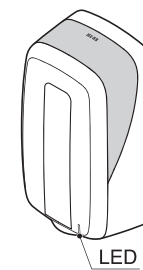
Protrusion



11 Explanation of the LED

Investigate the following when a failure is suspected.

LED	Approach
Green (on)	Unit dispensing The LED will flash when dispensing chemical.
Green (flashing)	Battery low The LED will indicate the battery is low.
Red (flashing)	Battery exhausted Indicates the battery is dead and the unit will not operate. Replace the batteries immediately.
Green/Red (flashing alternately)	Sensor error The sensor is detecting dirt on the lens or reflected light and will not operate. Confirm the problem and correct (Refer to P13 for troubleshooting)



Investigate the points above first. If the unit does not operate normally, contact your sales representative and do not attempt to repair the unit by yourself.

Installing / replacing the bottle

Caution

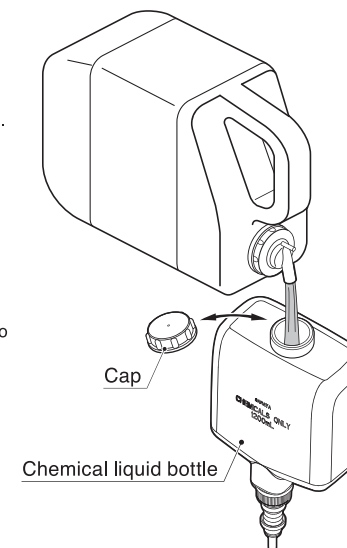
Chemical and the bottle are not included. Please purchase separately.

- Open the cap.
- Refill the chemical into the chemical bottle.
- Close the cap.

Caution

In order to prevent the chemical leaks, do not put the refilled chemical bottle on its side.

Do not refill the chemical with the bottle inside the dispenser. May cause malfunction.



14 Attaching the tray

Caution

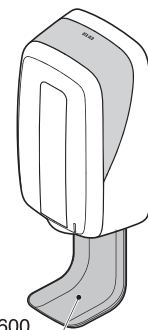
- The tray is not included with the unit. (Optional)

Please purchase the tray for the UD-1600 & MD-1600 separately. (Optional accessory). It is recommended to use the tray to prevent accidental sensor activation.

Installing the tray

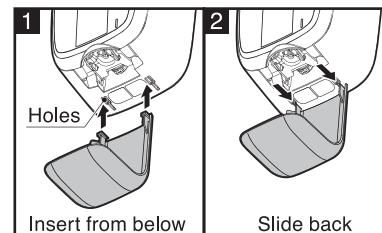
Using the tray will reduce contact of chemicals with the floor or countertop and any resulting discoloration.

Tray for the UD-1600 & MD-1600



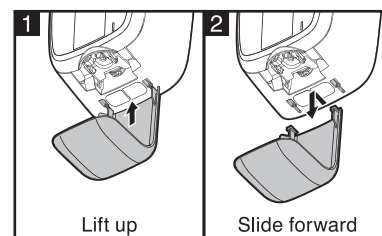
Attaching the tray

- Insert the hooks of the tray into the holes located in the bottom of the unit.
- Slide back to lock into place.



Removing the tray

- Push the tray up.
- Slide towards the front to remove.



Cleaning the tray

A dirty tray with accumulated chemical is unsanitary and may be a source of malfunction. Clean the tray regularly to extend the usage of this product.

15 Maintenance

Cleaning of the unit

Carry out basic maintenance tasks to ensure the longevity of this unit.

Beware that prior to any maintenance work the batteries must be removed.

Any dirty areas should be cleaned with a dry soft cloth. Heavy stains should be cleaned with neutral detergent and water, rinsed with a moist cloth, and then dried.

Caution

Use a soft cloth.

Follow the instructions when using a chemically pre-treated cloth.

Do not use the following to clean the unit. Thinner, benzene, petroleum, powder soap, polishing powder, non-neutral detergent, boiling water, acids, alkaline materials, brushes, etc.

Cleaning the nozzle

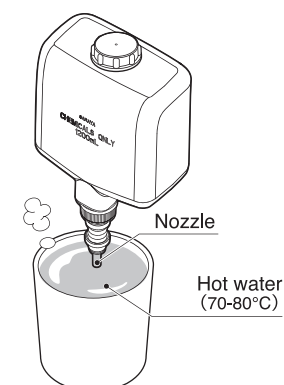
If the nozzle becomes clogged, it may cause incorrect dispensing or malfunction.

Clean the nozzle according to the following procedure.

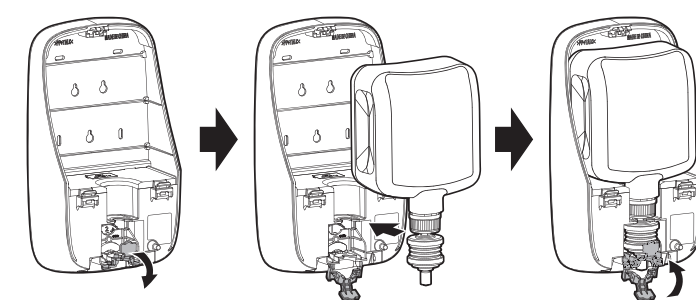
- Soak the end of the nozzle in hot water (approx. 70-80°C) for 2 minutes.
- Check if the pump is dispensing properly.

Caution

When cleaning the nozzle with a pin, be careful not to damage the parts inside. Be careful when handling hot water. If the unit continues to dispense incorrectly, please replace the bottle and pump.



12 Installing / replacing the bottle



Caution

When using disposable bottles, remove the bottle cap first.

16 Before calling for repair

Problem	Check point	Check point	Page
The unit is not activating.	Is the cover opened?	Close the cover properly.	6
	Are the batteries exhausted (LED blinking red)?	Replace with 4 new C cell batteries.	10
	Are the batteries correctly installed?	Install the batteries observing the correct ± orientation.	10
	Is the sensor correctly working? (LED is alternating between red and green)	Clean the sensor. Remove the foreign object obstructing the sensor.	5, 15
Chemical is not dispensing.	Has the chemical run out?	Replace to a new bottle.	12
	Is the bottle correctly installed?	Install the chemical bottle correctly.	11
	Is the nozzle clogged?	Clean the nozzle.	15

Specifications

Item	Details
Name	Saraya No-Touch Dispenser
Model	UD-1600
Dimensions	W154 × D100 × H287 mm
Material	Cover: PP, Internal mechanical parts: POM
Weight	785g (excluding packaging, accessories, batteries and chemicals)
Power source	Alkaline batteries (C cell x 4)
Operational temperature	5 - 40°C (ideal for chemicals consistency)
Operational humidity	20 - 80% (no condensation)
Chemicals	Liquid soap, Foam soap, Alcohol spray (chemicals indicated by Saraya)
Volume	1,200mL
Dispense rate	Soap: Foam: 0.8mL / dispense, Liquid: 1mL / dispense Alcohol: Gel: 1.2mL / dispense, Spray: 1.5mL / dispense

Specifications are subject to change without notice or any obligation on the part of the manufacturer.